

# MODULA PARIS

- Versatile
- Space-saving
- Comfortable



Perfection is attained, not when  
no more can be added,  
but when no more can be removed.

(Antoine de Saint-Exupéry, Terre des Hommes)





# Functionality & Reliability

Cold light sources  
halogen or LED

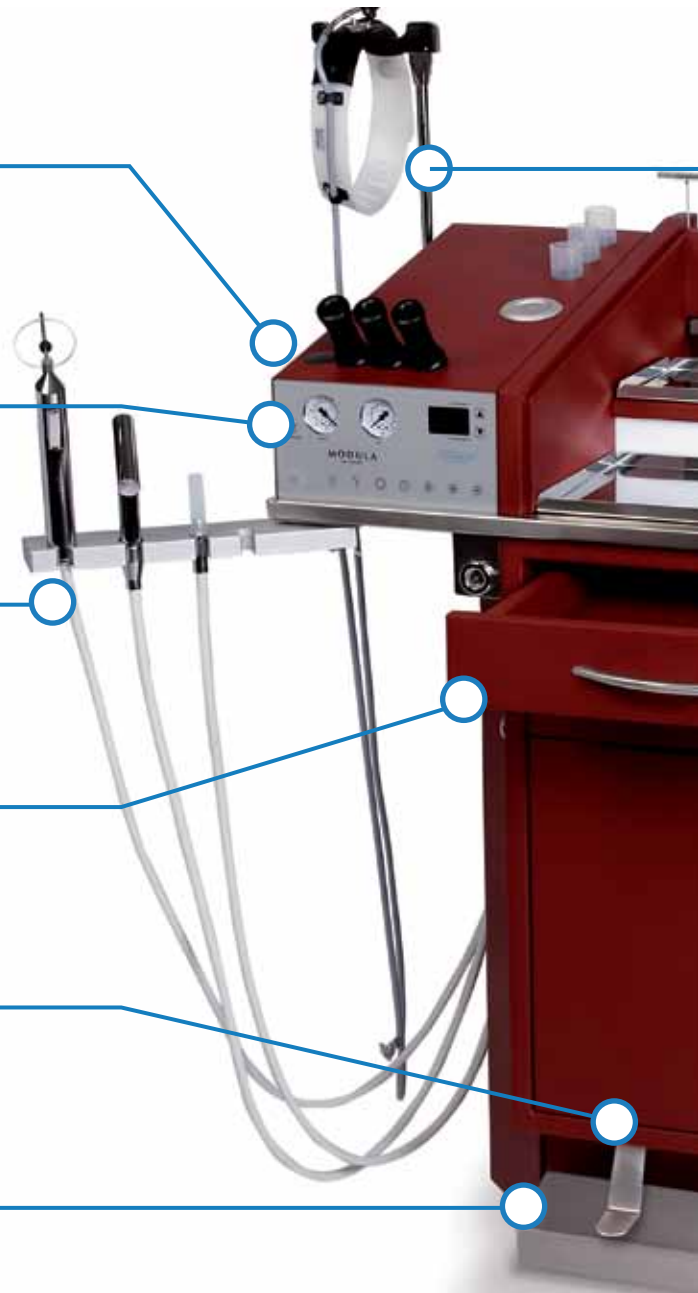
Glass display with touch keys for  
electronic control and indications

Suction, ear rinsing and  
compressed air system

Fully extendable,  
self-closing drawers

Waste bin, opening with foot pedal,  
self closing, low noise

Stainless steel unit base



## MODULA Paris – maximum equipment on minimum space

MODULA Paris – our medium sized unit for limited space. The unit is particularly conceived from small to medium-sized consulting rooms in order to assure

efficient diagnosis and highest comfort treatment.

The MODULA Paris ENT treatment unit offers a number of functional extensions



Headlamp holder with automatic switch on/off

Instrument levels and holders

Extention for cotton and tongue pads dispenser, sliding tray

Stainless steel tray for used instruments

Fig. optional equipment

as of automatic secretion glass emptying, or up to 4 LED cold light sources, or compressed air system. MODULA Paris can be equipped with up to three instrument

levels, one of them can be heated. A mobile instrument cabinet is also available in the same design or according to any individual requirement.

# Equipment & Colors



## Standard equipment

- High quality electrolytic zincplated steel cabinet with soundproofing
- Extremely hard wearing with enamel finish with corrosion-resistant pretreatment
- Mobile on 4 antistatic heavy duty castors
- Electronic control and indication panel: glass display with 7 different function keys, 2 manometers (compressed air and vacuum)
- Swiveling holder for water handpiece, suction hose, compressed air handpiece
- Holder for headlamp (not switchable)
- Integrated mirror heater
- 3 fully extendable, self-closing drawers
- 3 removable disinfection quivers for rigid endoscopes, autoclavable
- Instruments on 2 levels with stainless steel trays
- Built-in illumination for instrument levels
- Stainless steel tray for used instruments
- Waste bin, opening with foot pedal, self closing, low noise
- Transparent acrylic top cover, storable behind the unit after opening



## Standard colors (antimicrobial coating with fine structure)



RAL 1001  
Beige



RAL 1013  
Oyster white



RAL 1028  
Melon yellow



RAL 3004  
Purple red



RAL 3020  
Traffic red



RAL 5003  
Sapphire blue



RAL 5010  
Gentian blue



RAL 5014  
Pigeon blue



RAL 5018  
Turquoise blue



RAL 5024  
Pastel blue



RAL 6029  
Mint green



RAL 6034  
Pastel turquoise



RAL 7016  
Anthracite grey



RAL 7032  
Pebble grey



RAL 7035  
Light grey



RAL 7044  
Silk grey



RAL 7045  
Telegrey 1

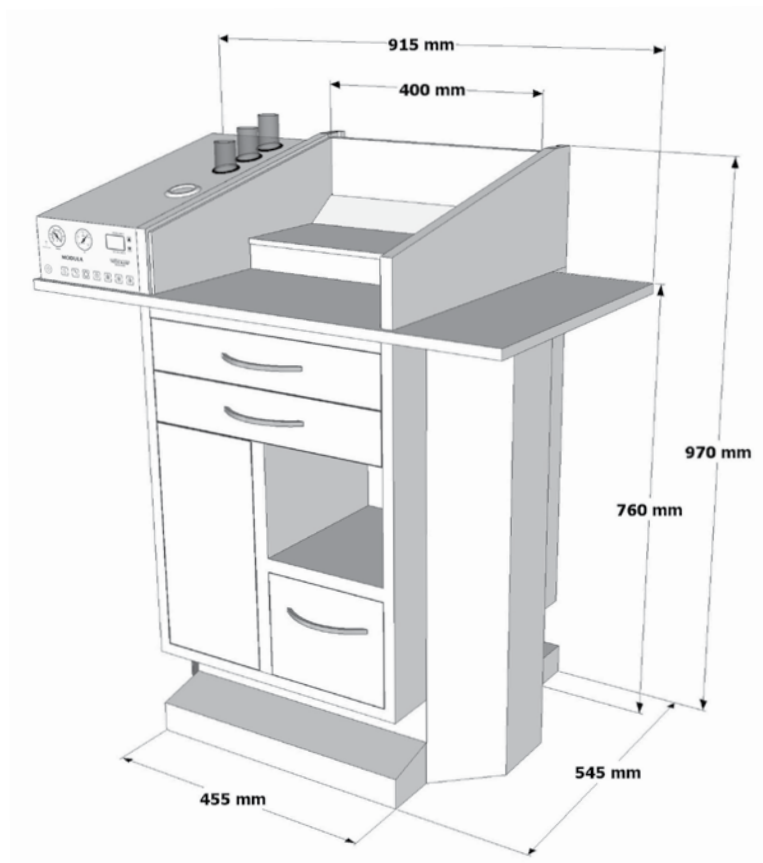


RAL 9010  
Pure white



RAL 9016  
Traffic white

# Technical Details\*



\*(subject to modifications)

Power supply:	220 V
Frequency:	50/ 60 Hz
Current consumption:	max. 10 A
Power consumption:	max. 2,3 kVA
Classification:	Ila
CE-Sign:	MEDCERT 0482
Protection class:	I
Degree of protection:	B
Compressed air (option):	12 L/min at 2700 RPM and 138 VA, 0,2 to 2,5 bar adjustable (option)
Powered suction (option):	Oil-free vacuum pump (150 VA): suction performance 40 l/min, 0 to -0,85 bar, sensor switch for suction hose, electronic and mechanical safety overflow system with antibacterial filter
Ear rinsing system (option):	+37° C +/-1° C, max. 500 ml/min, max. 1500 VA (long-term usage)
Autonomous ear rinsing system (option):	+37° C +/-1° C, max. 500 ml/min, max. 550 VA (long-term usage)
Watertank (option):	5 liter
Weight:	approx. 140 kg
Ambient temperature:	Temp. +15° C to +35° C

# Contact

G. Heinemann Medizintechnik GmbH

Leibnizstraße 13-15

24568 Kaltenkirchen

Germany

Phone: +49 (0)4191 - 95379-0

Fax: +49 (0)4191 - 9537937

E-mail: [info@heinemann-ent.de](mailto:info@heinemann-ent.de)

Web: [www.heinemann-ent.de](http://www.heinemann-ent.de)



Visit our  
website:

[www.heinemann-ent.de](http://www.heinemann-ent.de)

**HEINEMANN**  
MEDIZINTECHNIK